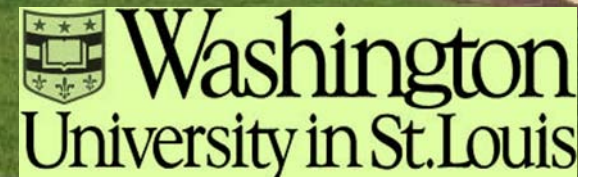


Internet 3.0: The Next Generation Internet

Raj Jain
Professor of CSE

University of Central Arkansas, Conway
November 12, 2009

These slides and Audio/Video recordings of this talk are at:
http://www.cse.wustl.edu/~jain/talks/in3_uca.htm



Graduate Study @ Washington University

- ❑ 24 faculty members, 71 Ph.D. students, in:
 - Robotics, Graphics, HCI, AI/Bioinformatics, networking, high-performance architectures, chip multi-processors, mobile systems/sensor networks, software systems, optimization.
- ❑ PhD students are (almost always) fully funded.
- ❑ Special emphasis on individual mentorship and on interdisciplinary opportunities
- ❑ Recent graduates on faculty at U. Mass, UT-Austin, Rochester, RIT, CMU, Michigan St., UNC-Charlotte.
- ❑ Application deadline Jan 15, <http://www.cs.wustl.edu>
- ❑ Information Day on Saturday, November 14 (10am-3pm)



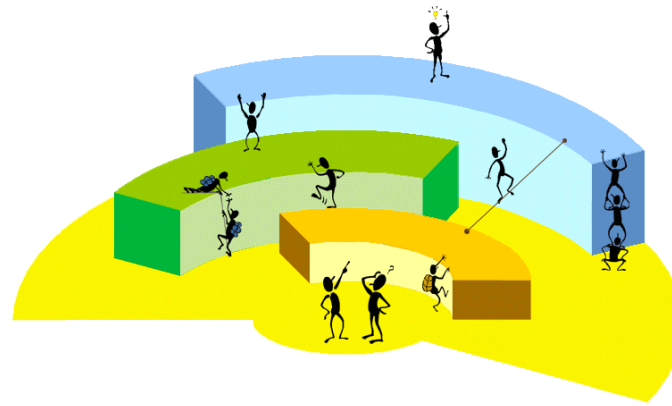
1. What is Internet 3.0?
2. What are we missing in the current Internet?
3. Our Proposed Architecture for Internet 3.0

Next Generation Internet Projects

- ❑ In 2005 US National Science Foundation started a large research and infrastructure program on next generation Internet
- ❑ Q: How would you design Internet today? Clean slate design.
- ❑ “Future Internet Design” (FIND): 48+ projects
 - ❑ Stanford, MIT, Berkeley, CMU, ...
 - ❑ “An Architecture for Diversified Internet” at WUSTL
- ❑ “Global Environment for Networking Innovations” (GENI): 29+ projects
- ❑ European Union: 7th Framework program
- ❑ Japan: AKARI (A small light in the dark pointing to the future)
- ❑ China, Korea, Australia, ...20+ countries
- ❑ **Ref:** See our survey report, WUSTL-2009-69, Oct 2, 2009

Internet 3.0: Next Generation Internet

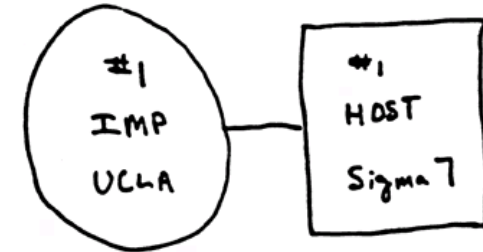
- ❑ Internet 3.0 is the name of the Washington University project on the next generation Internet
- ❑ Goal 1: Represent the commercial reality of distributed Internet ownership and organization
- ❑ Goal 2: Develop a clean slate architecture to overcome limitations of the current internet
- ❑ Goal 3: Develop an incremental approach to implement the architecture



Internet Generations

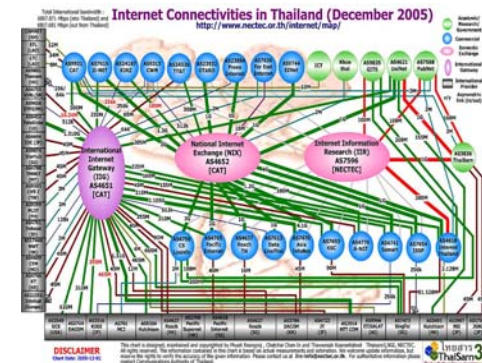
❑ Internet 1.0 (1969 – 1989) – Research project

- RFC1 is dated April 1969.
- ARPA project started a few years earlier
- IP, TCP, UDP
- Mostly researchers
- Industry was busy with proprietary protocols: SNA, DECnet, AppleTalk, XNS



❑ Internet 2.0 (1989 – Present) – Commerce ⇒ new requirements

- Security RFC1108 in 1989
- NSFnet became commercial
- Inter-domain routing:
BGP (Policy-based)
- Address Shortage IPv6
- Congestion Control, Quality of Service,...



Key Problems with Current Internet

1. Security:

Fundamental architecture design issue
Control+Data are intermixed
Security is just one of the policies.

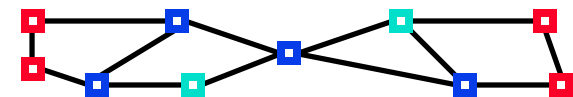
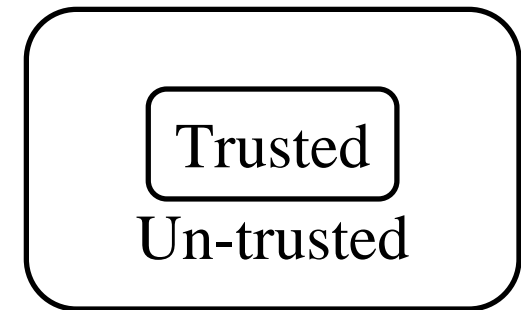


2. No concept of **ownership**

(except at infrastructure level)

Difficult to represent organizational, administrative hierarchies and relationships. Perimeter based.

⇒ Difficult to enforce organizational policies



Realms

Problems (cont)

3. Identity and location in one (IP Address)
Makes mobility complex.
4. Assumes live and awake end-systems
Does not allow communication while sleeping.
Many energy conscious systems today sleep.
5. No representation for real end system: the human.

Ref: Our Milcom 2006 paper



Physical vs. Logical Connectivity

- ❑ Physically and logically connected:
All computers in my lab
= Private Network,
Firewalled Network
- ❑ Physically disconnected but logically connected:
My home and office computers
- ❑ Physically connected but logically disconnected: Passengers on a plane,
Neighbors, Conference attendees sharing a wireless network, A visitor



Physical connectivity \neq Trust

Names, IDs, Locators



Name: John Smith

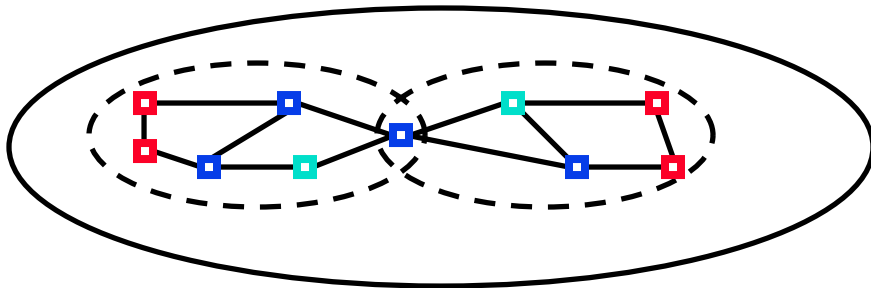
ID: 012-34-5678

Locator:

1234 Main Street
Big City, MO 12345
USA

- ❑ Locator changes as you move, ID and Names remain the same.
- ❑ **Examples:**
 - Names: Company names, DNS names (microsoft.com)
 - IDs: Cell phone numbers, 800-numbers, Ethernet addresses, Skype ID, VOIP Phone number
 - Locators: Wired phone numbers, IP addresses

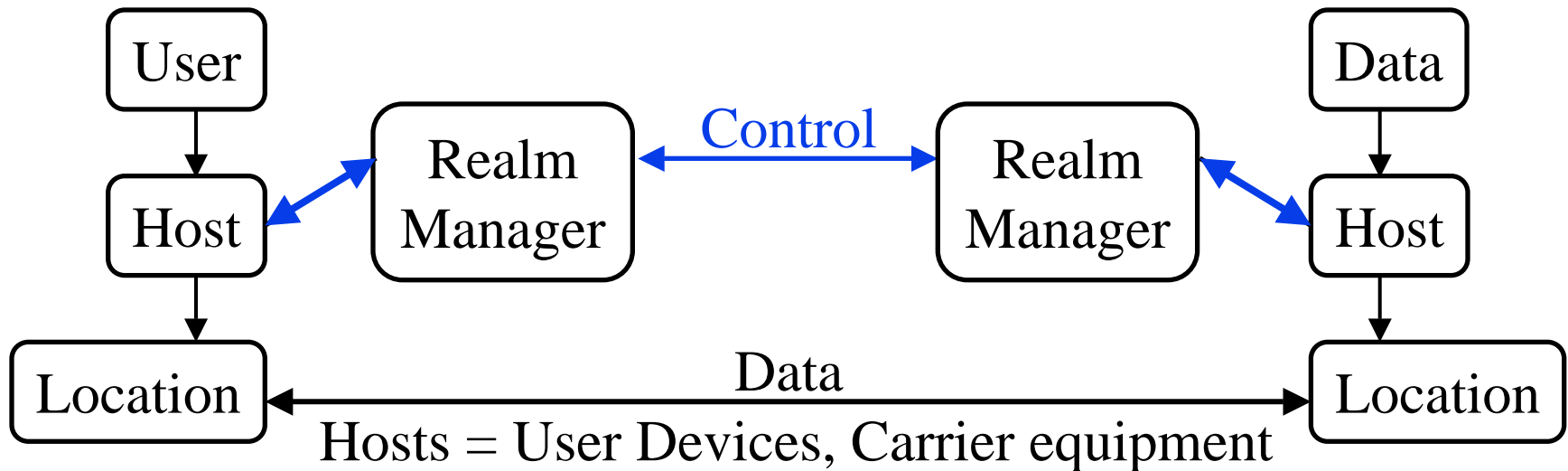
Realms



- ❑ Object names and Ids are defined within a realm
- ❑ A realm is a **logical** grouping of objects under an administrative domain
- ❑ The Administrative domain may be based on Trust Relationships
- ❑ A realm represents an organization
 - Realm managers set policies for communications
 - Realm members can share services.
 - Objects are generally members of multiple realms
- ❑ Realm Boundaries: Organizational, Governmental, ISP, P2P,...

Realm = Administrative Groupvc

Id-Locator Split Architecture (MILSA)



Realm managers:

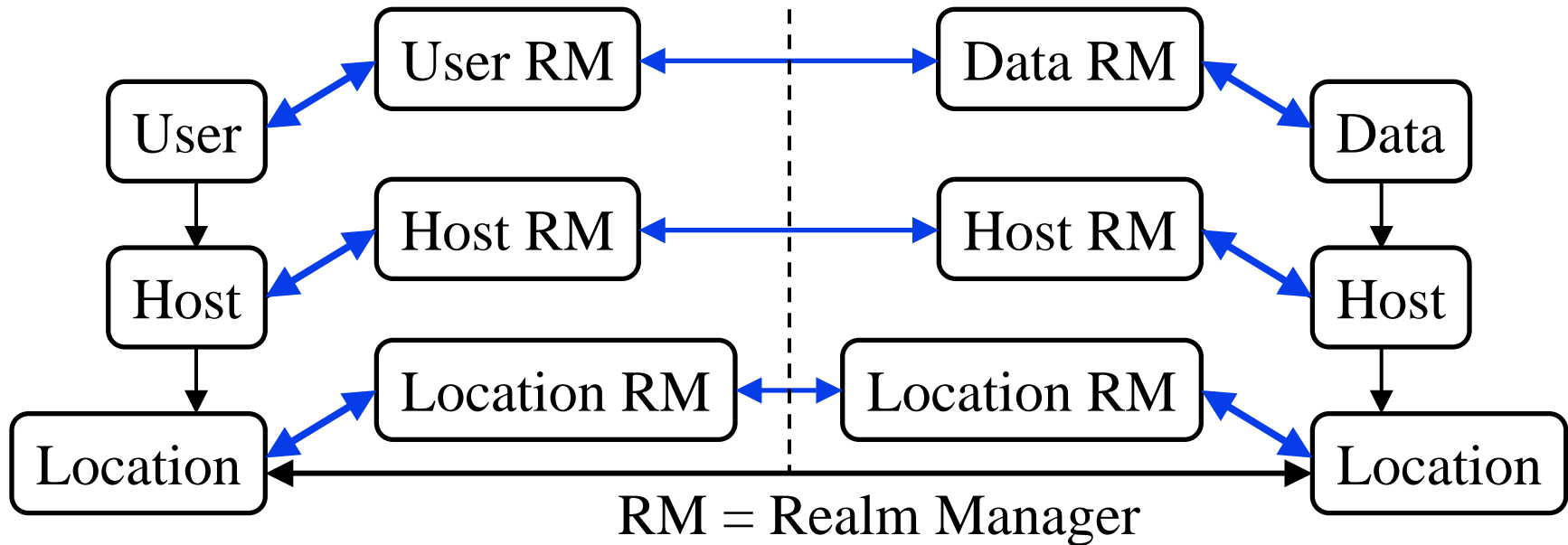
- ❑ Resolve current location for a given host-ID
- ❑ Enforce policies related to authentication, authorization, privacy
- ❑ Allow mobility, multi-homing, location privacy
- ❑ Different from several other ID-locator splitting proposals.
Our Emphasis on organizational control.
- ❑ Ref: Our Globecom 2008 paper [2]

User- Host- and Data Centric Models

- ❑ All discussion so far assumed host-centric communication
 - Host mobility and multihoming
 - Policies, services, and trust are related to hosts
- ❑ User Centric View:
 - Bob wants to watch a movie
 - Starts it on his media server
 - Continues on his iPhone during commute to work
 - Movie exists on many servers
 - Bob may get it from different servers at different times or multiple servers at the same time
- ❑ Can we just give IDs/locators to users and treat them as hosts?
No! ⇒ Policy Oriented Naming Architecture (PONA)



Policy-Based Networking Architecture



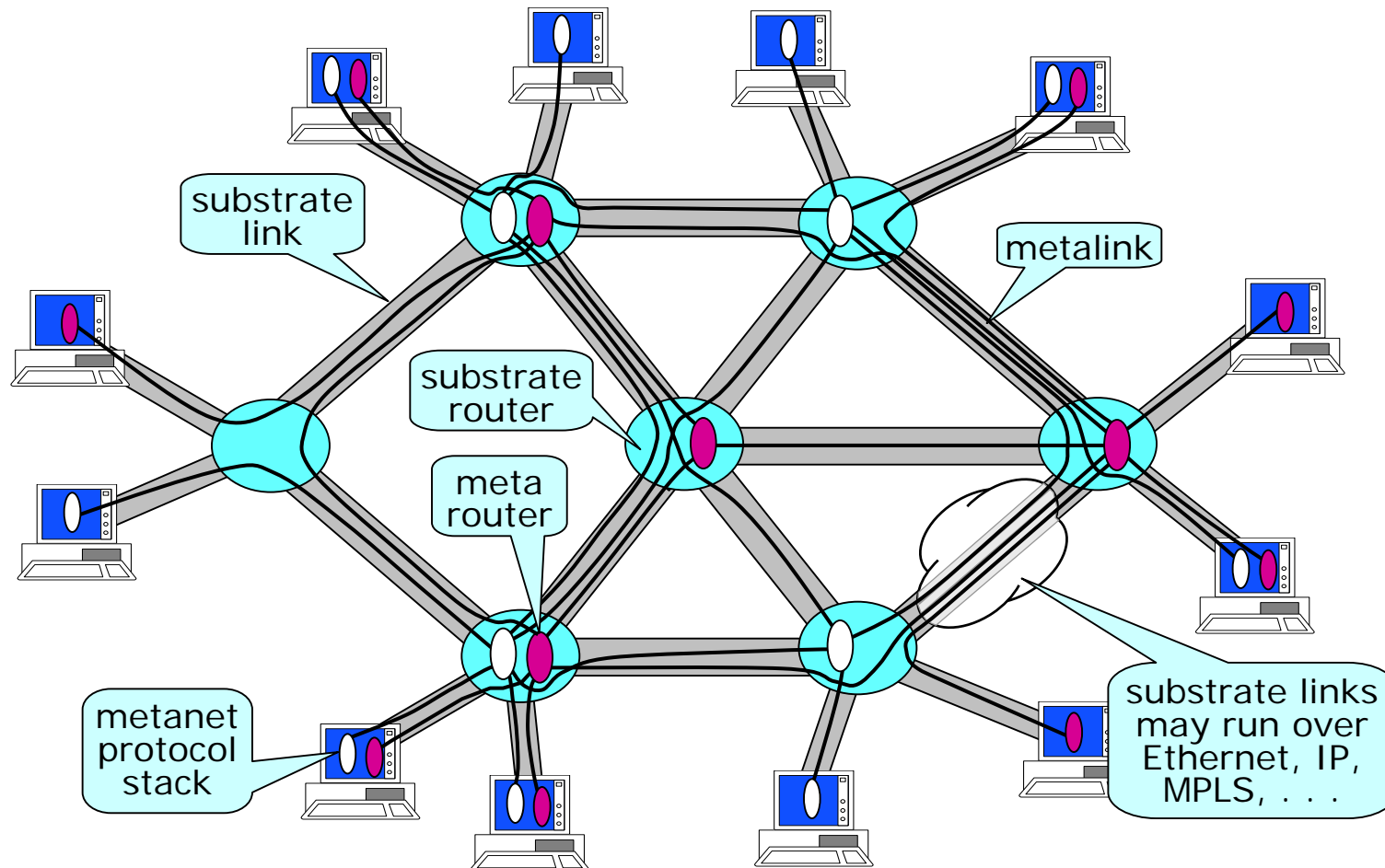
- ❑ Both Users and data need hosts for communication
- ❑ Data is easily replicable/divisible. All copies are equally good.
- ❑ Users, Hosts, Infrastructure, Data belong to different realms (organizations).
- ❑ Each object has to follow its organizational policies.

Server Objects

- ❑ Each realm has a set of server objects, e.g., forwarding, authentication, encryption,
- ❑ Some objects have built-in servers, e.g., an “enterprise router” may have forwarding, encryption, authentication services.
- ❑ Other objects rely on the servers in their realm
- ❑ Forwarding servers are located at the boundary of two realms
- ❑ Encryption servers encrypt the packets
- ❑ Authentication servers (AS) add their signatures to packets and verify signatures of received packets..
- ❑ Storage servers store packets while the object may be sleeping and may optionally aggregate/compress/transform/disseminate data. Could wake up objects.
- ❑ Persistent connections: Across system restarts, HW replacement, Object mobility

Servers allow simple energy efficient end devices

Virtualizable Network Concept



Ref: T. Anderson, L. Peterson, S. Shenker, J. Turner, "Overcoming the Internet Impasse through Virtualization," *Computer*, April 2005, pp. 34 – 41.

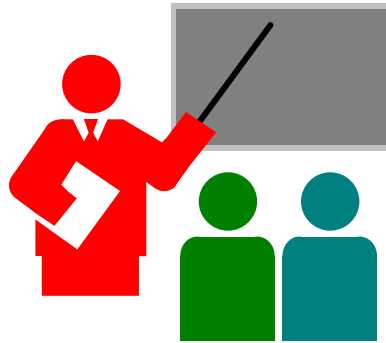
Internet 1.0 vs. Internet 3.0: Features

	Feature	Internet 1.0	Internet 3.0
1.	Energy Efficiency	Always-on	Energy aware
2.	Mobility	Mostly stationary computers	Mostly mobile <i>objects</i>
3.	Computer-Human Relationship	Multi-user systems ⇒ Machine to machine comm	Multi-systems user ⇒ Personal comm systems
4.	End Systems	Single computers	User/Data/Distributed systems
5.	Design Goal	Research ⇒ Trusted Systems Govt Funded	Commerce ⇒ No Trust Map to organizational structure
6.	Ownership	No concept of ownership	Hierarchy of ownerships

Internet 1.0 vs. Internet 3.0: Design

	Design Issue	Internet 1.0 Solution	Internet 3.0 Solution
1	Resource allocation	Algorithmic Optimization	Policy based
2	Intelligence	Manual/applications	In the network
3	Connections	Host-Host	User-Data (Hosts are intermediate systems)
4.	Ownership	Single=> Single Tier	Commercial Reality => Multi-Tier
5	Information	Complete knowledge of all tiers	Only service API's are disclosed
6	Mobility	Host mobility	Multi-tier mobility (User/data/host)
7	Multi-homing	Host multihoming	Multi-tier multihoming (User/Data/Host)
8	Virtualization	Network virtualization	Multi-Tier virtualization

Summary



1. Internet 3.0 is the next generation of Internet.
2. It must be secure, allow mobility, and be energy efficient.
3. Must be designed for commerce
⇒ Must represent multi-organizational structure and policies
4. Different ownership/policies of users, hosts, infrastructure
⇒ Multi-tier, object oriented, service broker architecture
5. Object-oriented architecture allows services to be composed that meet upper tier's requirements while not requiring disclosure of lower tier's mechanisms and details

References

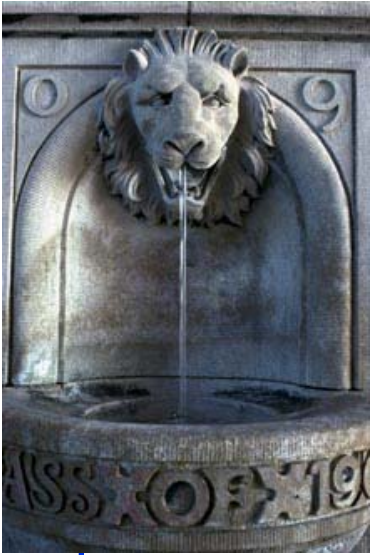
1. Jain, R., “**Internet 3.0: Ten Problems with Current Internet Architecture and Solutions for the Next Generation,**” in Proceedings of Military Communications Conference (MILCOM 2006), Washington, DC, October 23-25, 2006, <http://www.cse.wustl.edu/~jain/papers/gina.htm>
2. Subharthi Paul, Raj Jain, Jianli Pan, and Mic Bowman, “**A Vision of the Next Generation Internet: A Policy Oriented View,**” British Computer Society Conference on Visions of Computer Science, Sep 2008, <http://www.cse.wustl.edu/~jain/papers/pona.htm>
3. Jianli Pan, Subharthi Paul, Raj Jain, and Mic Bowman, “**MILSA: A Mobility and Multihoming Supporting Identifier-Locator Split Architecture for Naming in the Next Generation Internet,**” Globecom 2008, Nov 2008, <http://www.cse.wustl.edu/~jain/papers/milsa.htm>

References (Cont)

4. Jianli Pan, Raj Jain, Subharthi Paul, Mic Bowman, Xiaohu Xu, Shanzhi Chen, "**Enhanced MILSA Architecture for Naming, Addressing, Routing and Security Issues in the Next Generation Internet**," Proceedings of IEEE International Conference in Communications (ICC) 2009, Dresden, Germany, June 14-18, 2009, (sponsored by Huawei)
<http://www.cse.wustl.edu/~jain/papers/emilsa.htm>
5. Jianli Pan, Subharthi Paul, Raj Jain, Xiaohu Xu, "**Hybrid Transition Mechanism for MILSA Architecture for the Next Generation Internet**," Proceedings of IEEE Globecom 2008 2nd International Workshop on the Networks of the Future, Hawaii, December 4, 2009,
<http://www.cse.wustl.edu/~jain/papers/milsat.htm>

References (Cont)

6. Subharthi Paul, Jianli Pan, and Raj Jain, "**Architectures for the Future Networks and the Next Generation Internet: A Survey**," WUSTL Technical Report, WUCSE-2009-69, October 2, 2009, 59 pp.,
<http://www.cse.wustl.edu/~jain/papers/i3survey.htm>



**Thank
you**



 **Washington
University in St. Louis**

